



MINISTRY OF
SOCIAL POLICY
OF UKRAINE



безбар'єрність

ENSURING ACCESS TO SOCIAL SERVICES



- Active longevity
- Replacing institutional facilities with social services

- Preventive services
- Support for families with children
- Prevention of domestic violence
- Ensuring equal opportunities for women and men

- Building resilience to support physical, mental, and economic well-being



MINISTRY OF
SOCIAL POLICY
OF UKRAINE



безбар'єрність



TRAINING SITES

● TRAINING SITES within 6 existing rehabilitation centers

Lviv / Liutizh, Kyiv region / Vinnytsia / Lutsk / Mykolaiv / Ivano-Frankivsk



Essential spaces where individuals, alongside rehabilitation specialists can

(1) practice using prostheses and wheelchairs effectively, and

(2) provide mobility training for people who are blind

The program aims to:

- support individuals undergoing rehabilitation after an injury and are using a prosthesis or wheelchair for the first time
- teach how to use prostheses or wheelchairs effectively
- provide orientation and mobility training for people who are blind

Total cost: € 360 000 (for 6 training sites)



SOCIAL

TAXI



MINISTRY OF
SOCIAL POLICY
OF UKRAINE



безбар'єрність

ACCESS TO SERVICES, WORK, AND ACTIVE SOCIAL LIFE



About **3 mln** people with disability in Ukraine
+300K new cases of disabilities since the start of russian full scale invasion



The access to work placement, hospital or other services, as well as possibility to meet relatives or friends is limited for people with disability.



Social Taxi is aimed to low down this barriers,
to help people with disability to be more active and independent.



A general need is 2000 equipped cars for Social Taxi
(at least 1 for each municipality (hromada))

The approximate price of 1 car is **€ 36 000**



SUPPORTED
LIVING

● SUPPORTED LIVING SERVICE

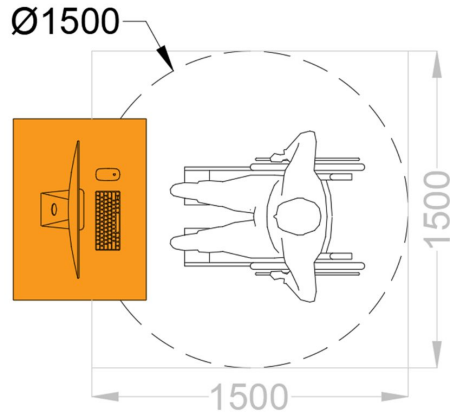


The service includes a joint living and daily life for **up to 8 people** in one apartment/house in the community with a support of social workers and other specialists.

People with disabilities, graduates of institutions, including those with mental disorders, single elderly people can receive the **supported living service, instead of living in institutional facilities.**

The cost for **Supported living service** per person is about **16 000 UAH / month**

● REQUIREMENTS FOR HOUSING



- at least **13.65 square meters of living space per person** (not including the area of non-residential premises - kitchen, corridor and bathroom)
- availability of a shelter (available for less mobile population groups)
- inclusively equipped space



#1 option First floor of a separate building (or its part) with a separate entrance

#2 option Apartment on the first floor of an apartment building with the possibility of arranging a separate entrance

#3 option Apartment(s) on the first floor of an apartment building with a public entrance

The cost of housing differs depending on the area, condition, location, etc